

# CPY250-A-DM-D / F-B

CPY Series LED Canopy / Soffit Luminaire -  
Direct Mount - Drop / Flat Lens - 122 Watts

## Product Description

Slim, low profile, easy mounting from below the deck. Luminaire housing constructed of rugged cast aluminum with integral heat sink specifically designed for LED. Luminaire mounts directly to the canopy deck in a 2.0" (51mm) to 4.0" (102mm) round hole and is secured in place with self-sealing screws that provide water-tight seal. Suitable for use in single or double skin canopies with a minimum 4.0" (102mm) wide panels and a minimum 22 gauge, 0.030" (0.7mm) canopy thickness. Direct imaging of LEDs is eliminated with high efficiency patterned flat or 0.91" (23mm) drop glass lens.

## Performance Summary

Made in the U.S.A. of U.S. and imported parts

CRI: Minimum 70 CRI

CCT: 5700K (+ / - 500K) Standard, 4000K (+ / - 300K)

Limited Warranty\*: 10 years on luminaire / 10 years on Colorfast DeltaGuard® finish

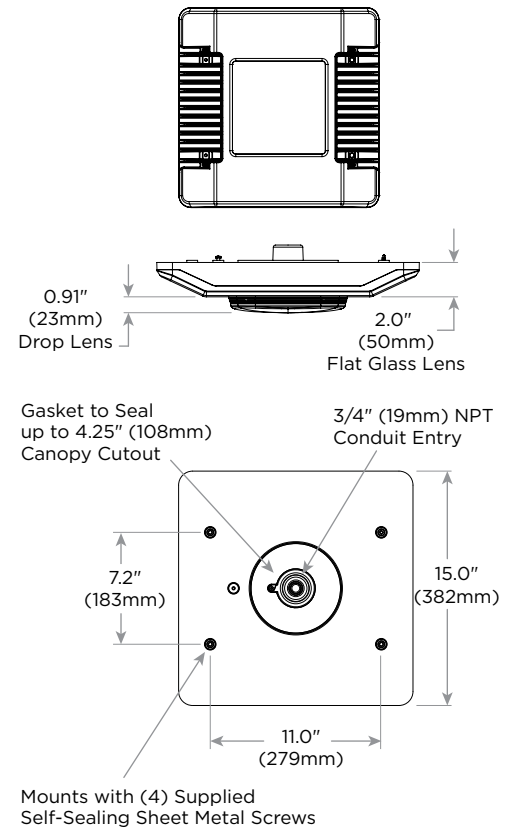
## Accessories

| Field Installed Accessories   |  |
|---|--|
| <b>XA-BXCCMW</b><br>Upgrade Kit for use with Jet-Phillips canopy luminaires                   | <b>XA-BXCCJBOX</b><br>Junction Box / Stem Kit<br>- 6.0" (152mm) H x 3/4" (19mm) NPT Stem   |
| <b>XA-BXCCNW</b><br>Upgrade Kit for use with ElSCO Franciscan canopy luminaires               | <b>XA-BXCCBPW</b><br>Beauty Plate  |
| <b>XA-BXCCPW</b><br>Upgrade Kit for use with LSI Dakota or Masters canopy luminaires          | <b>XA-BXCCBPB12W</b><br>Beauty Plate w/ 12" (305mm) Backer   |
| <b>XA-BXCCQW</b><br>Upgrade Kit for use with Whiteway Riviera or RIG-A-Lite canopy luminaires | <b>XA-BXCCBPB16W</b><br>Beauty Plate w/ 16" (406mm) Backer   |
| <b>XA-BXCCRW</b><br>Upgrade Kit for use with ElSCO Merrit canopy luminaires                   | <b>TPS-2</b><br>Tamper Resistant Driver Bit  |
| <b>XA-BXCCSW</b><br>Upgrade Kit for use with LSI Richmond or Whiteway Civic canopy luminaires | <b>XA-SENSREM</b><br>Hand-Held Remote<br>- For successful implementation of the programmable multi-level option, a minimum of one hand-held remote is required |



Drop Lens

Flat Lens



## Ordering Information

Example: CPY250-A-DM-D-B-UL-WH-OPTIONS

**QUICKSHIP™**

For full list of Cree Quick Ship products visit [www.cree.com/lighting/quickship](http://www.cree.com/lighting/quickship)

| Product | Version | Mounting     | Optic   | Input Power Designator | Voltage   | Color Options  | Options   |
|---------|---------|--------------|---|------------------------|---|--|---|
| CPY250  | A       | DM<br>Direct | D<br>0.91" (23mm) Drop Lens<br>F<br>Flat Lens | B<br>122W              | UL<br>Universal<br>120-277V<br>UH<br>Universal<br>347-480V* | WH<br>White (Standard)<br>SV<br>Silver<br>BK<br>Black<br>BZ<br>Bronze<br>PB<br>Platinum Bronze | <b>40K 4000K Color Temperature</b><br>- Color temperature per luminaire<br><b>DIM 0-10V Dimming</b><br>- Control by others<br>- Refer to dimming spec sheet for details<br>- Can't exceed specified input power<br><b>ML Multi-Level (100% / 30% Power)</b><br>- Refer to ML spec sheet for details<br><b>PML Programmable Multi-Level</b><br>- Refer to PML spec sheet for details |

\* See [www.cree.com/lighting/products/warranty](http://www.cree.com/lighting/products/warranty) for warranty terms.

\* For input power for 347-480V, refer to the Lumen Output, Electrical, and Lumen Maintenance data table below.



Rev. Date: 01/23/14



### Product Specifications

#### CONSTRUCTION & MATERIALS

- Slim, low profile, easy mounting from below the deck
- Luminaire housing constructed of rugged cast aluminum with integral heat sink specifically designed for LED
- Luminaire mounts directly to the canopy deck in a 2.0" (51mm) to 4.0" (102mm) round hole and is secured in place with self sealing screws that provide water-tight seal
- Suitable for single or double skin canopies with minimum 4.0" (102mm) wide panels and a minimum 22 gauge, 0.030" (0.7mm) canopy thickness
- Optional wet listed junction box rated for feed through 8 (4 in, 4 out) #12 AWG conductors
- Fixture housing provided with 3/4" (19mm) conduit entry for direct wire feed
- Simple single hole drill for mounting to canopy
- Alignment pin included for ease of installation if desired (optional; requires drilling of additional hole)
- Below ceiling serviceable driver for ease of upgrade or replacement
- Exclusive Colorfast DeltaGuard® finish features an E-Coat epoxy primer with an ultra-durable powder topcoat, providing excellent resistance to corrosion, ultraviolet degradation and abrasion. Standard is white. Bronze, black, silver, and platinum bronze are also available

#### ELECTRICAL SYSTEM

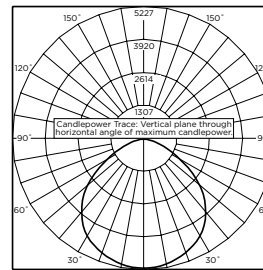
- **Input Voltage:** 120-277V or 347-480V, 50 / 60Hz, Class 1 drivers
- **Power Factor:** > 0.9 at full load
- **Total Harmonic Distortion:** < 20% at full load
- Integral 6kV surge suppression protection standard
- To address inrush current, slow blow fuse or type C / D breaker should be used

#### REGULATORY & VOLUNTARY QUALIFICATIONS

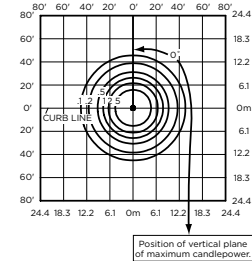
- cULus Listed
- Suitable for wet locations
- Enclosure rated IP66 per IEC 60529 pending
- Consult factory for CE Certified products
- 6kV surge suppression protection tested in accordance with IEEE /ANSI C62.412
- Product qualified on the DesignLights Consortium™ ("DLC") Products List ("QPL")
- Luminaire and finish endurance tested to withstand 5,000 hours of elevated ambient salt fog conditions as defined in ASTM Standard B 117
- Meets Buy American requirements within ARRA
- Dark Sky Friendly, IDA Approved when ordered with "F" optic

### Photometry

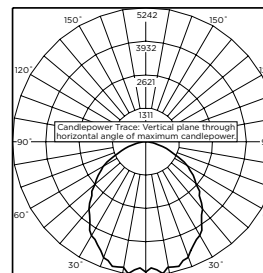
All published luminaire photometric testing performed to IESNA LM-79-08 standards by a NVLAP certified laboratory.



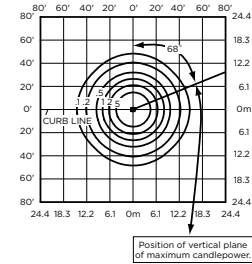
**ITL Test Report #: 76865**  
**CPY250-A-F-B-UL**  
**Initial Delivered Lumens: 13,636**



**CPY250-A-F-B-UL**  
**Mounting Height: 15' (4.6m)**  
**Initial Delivered Lumens: 13,000**  
**Initial FC at grade**



**CESTL Test Report #: 2013-0112**  
**CPY250-A-D-B-UL**  
**Initial Delivered Lumens: 13,242**



**CPY250-A-D-B-UL**  
**Mounting Height: 15' (4.6m)**  
**Initial Delivered Lumens: 13,000**  
**Initial FC at grade**

### Weight

| Weight           |
|------------------|
| 12.5 lbs (5.7kg) |

### Lumen Output, Electrical, and Lumen Maintenance Data

| CPY250 Canopy Luminaire |                                 |                                  |                                 |                                  |                          |                          |               |      |      |      |      |      |  |
|-------------------------|---------------------------------|----------------------------------|---------------------------------|----------------------------------|--------------------------|--------------------------|---------------|------|------|------|------|------|--|
| Optic                   | 5700K                           |                                  | 4000K                           |                                  | System Watts<br>120-277V | System Watts<br>347-480V | TOTAL CURRENT |      |      |      |      |      | 50K Hours<br>Projected Lumen<br>Maintenance Factor<br>@ 15 °C (59 °F)*** |
|                         | Initial<br>Delivered<br>Lumens* | BUG<br>Ratings**<br>Per TM-15-11 | Initial<br>Delivered<br>Lumens* | BUG<br>Ratings**<br>Per TM-15-11 |                          |                          | 120V          | 208V | 240V | 277V | 347V | 480V |  |
| D                       | 13,000                          | B3 U2 G2                         | 12,400                          | B3 U2 G2                         | 122                      | 137                      | 1.04          | 0.60 | 0.52 | 0.46 | 0.40 | 0.29 | 94%  |
| F                       | 13,000                          | B3 U0 G1                         | 12,400                          | B3 U0 G1                         | 122                      | 137                      | 1.04          | 0.60 | 0.52 | 0.46 | 0.40 | 0.29 | 94%  |

\* Actual production yield may vary between -4 and +10% of initial delivered lumens.  
 \*\* For more information on the IES BUG (Backlight-Uplight-Glare) Rating visit [www.iesna.org/PDF/Erratas/TM-15-11BugRatingsAddendum.pdf](http://www.iesna.org/PDF/Erratas/TM-15-11BugRatingsAddendum.pdf).  
 \*\*\* For recommended lumen maintenance factor data see TD-13. Calculated L<sub>70</sub> based on 6,000 hours LM-80-08 testing: > 100,000 hours.

